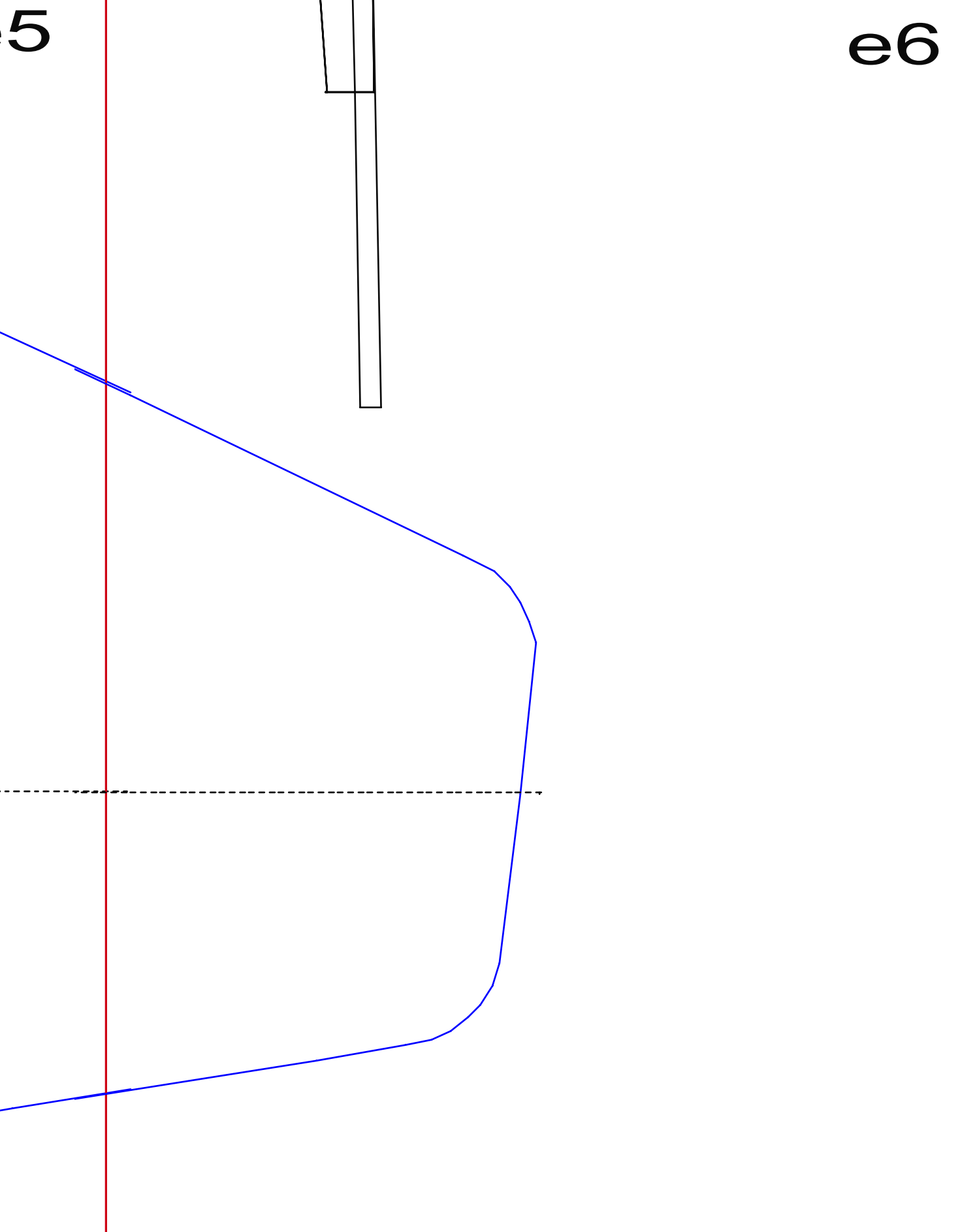
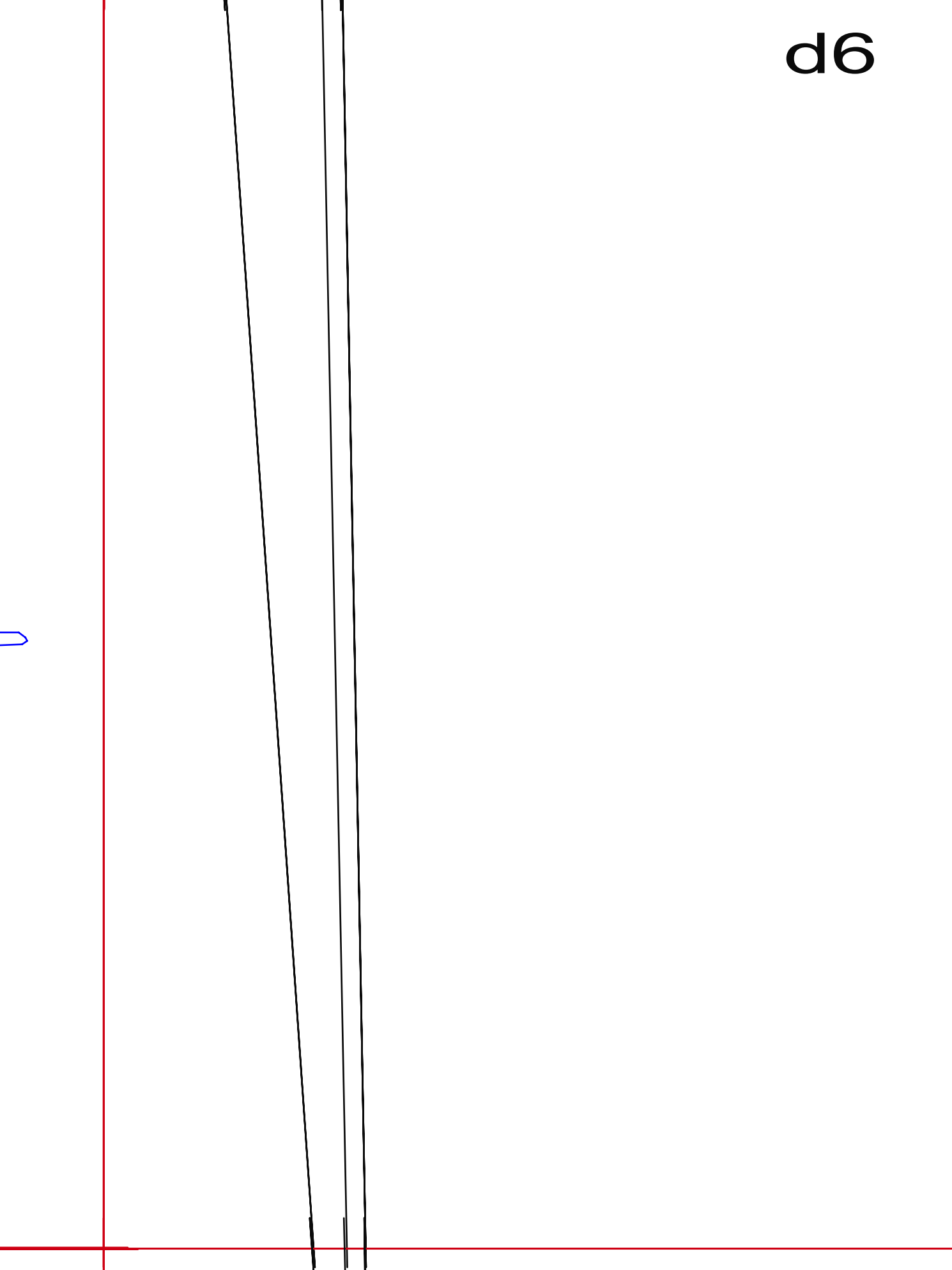
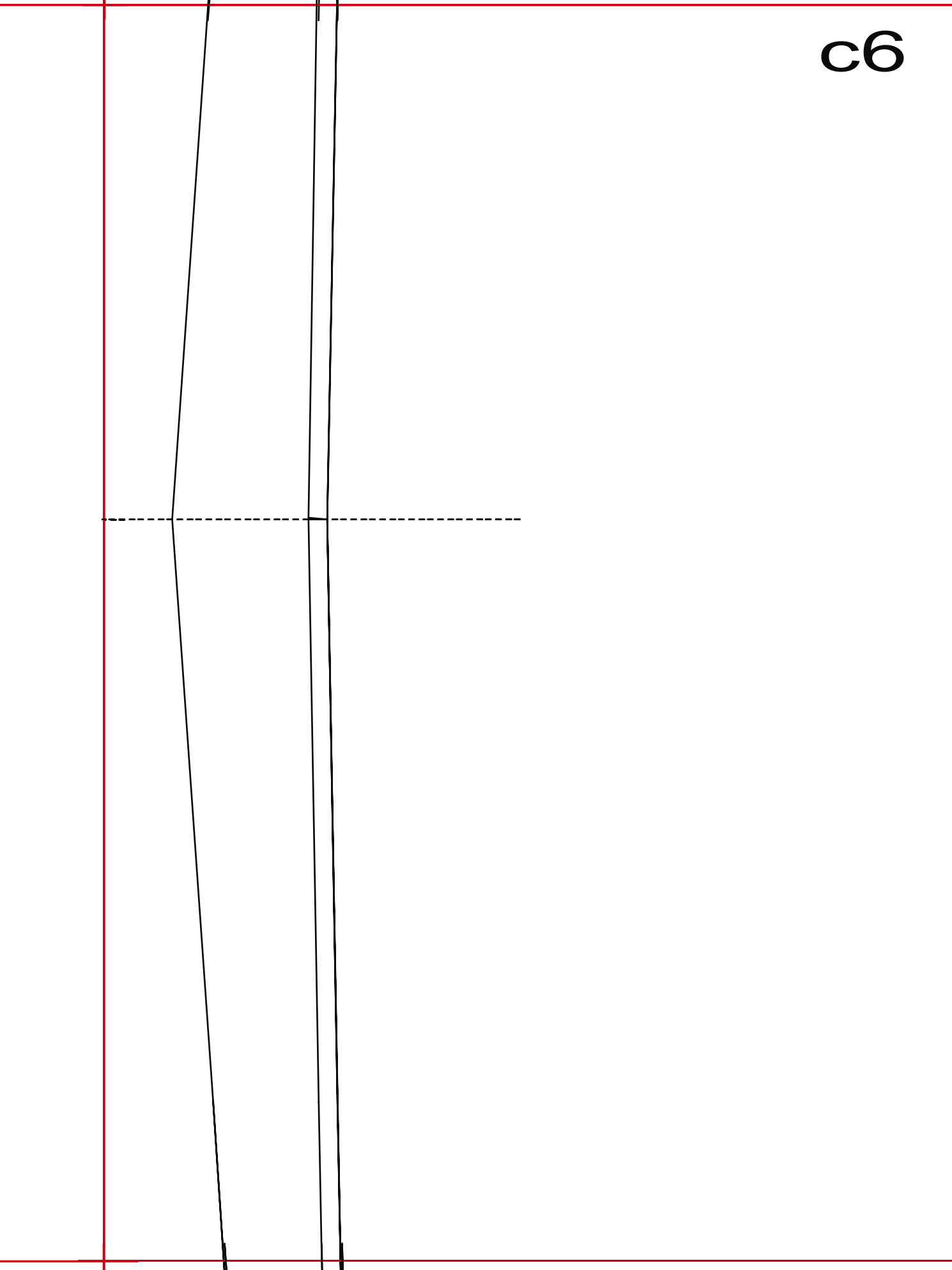
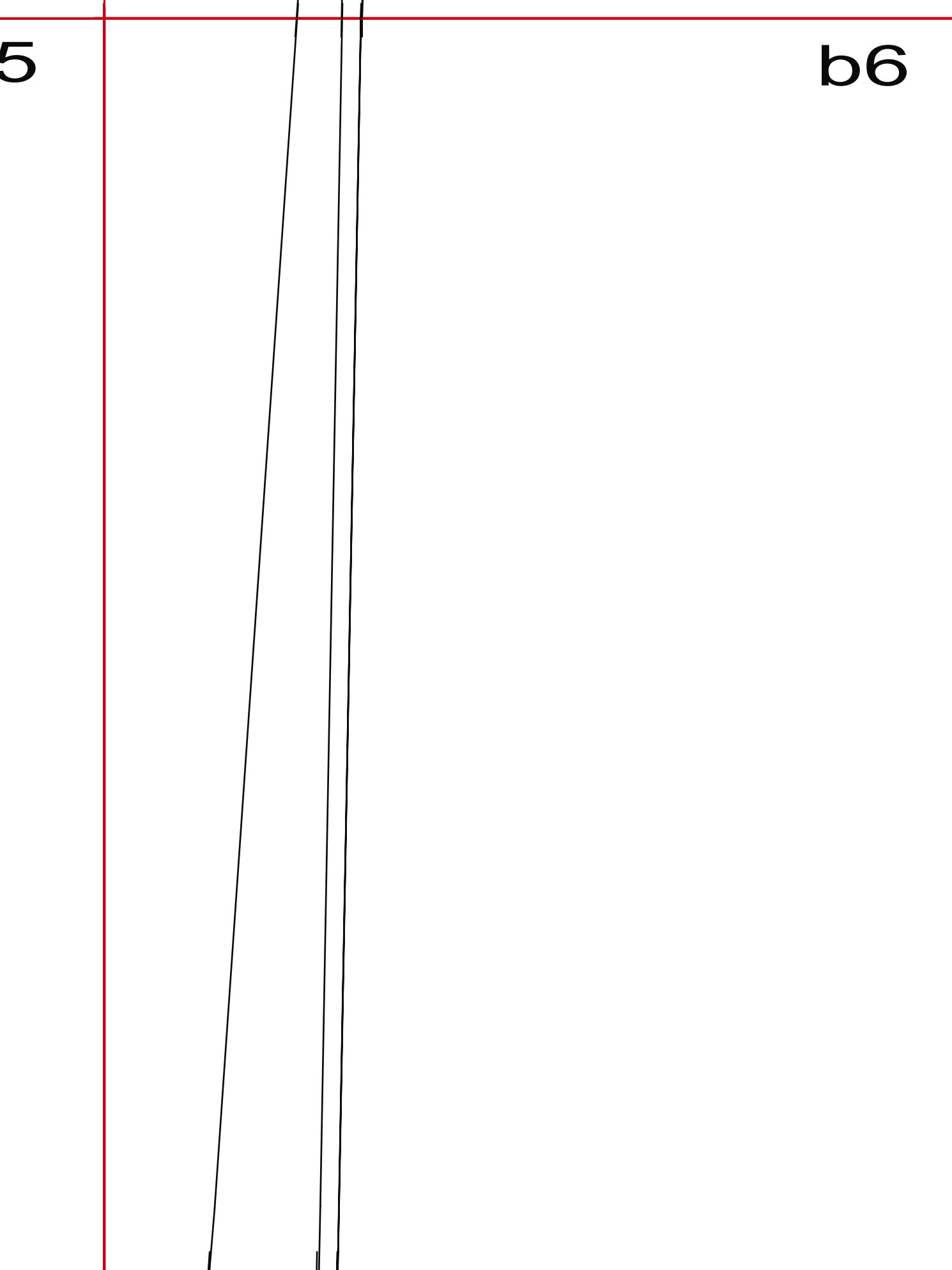
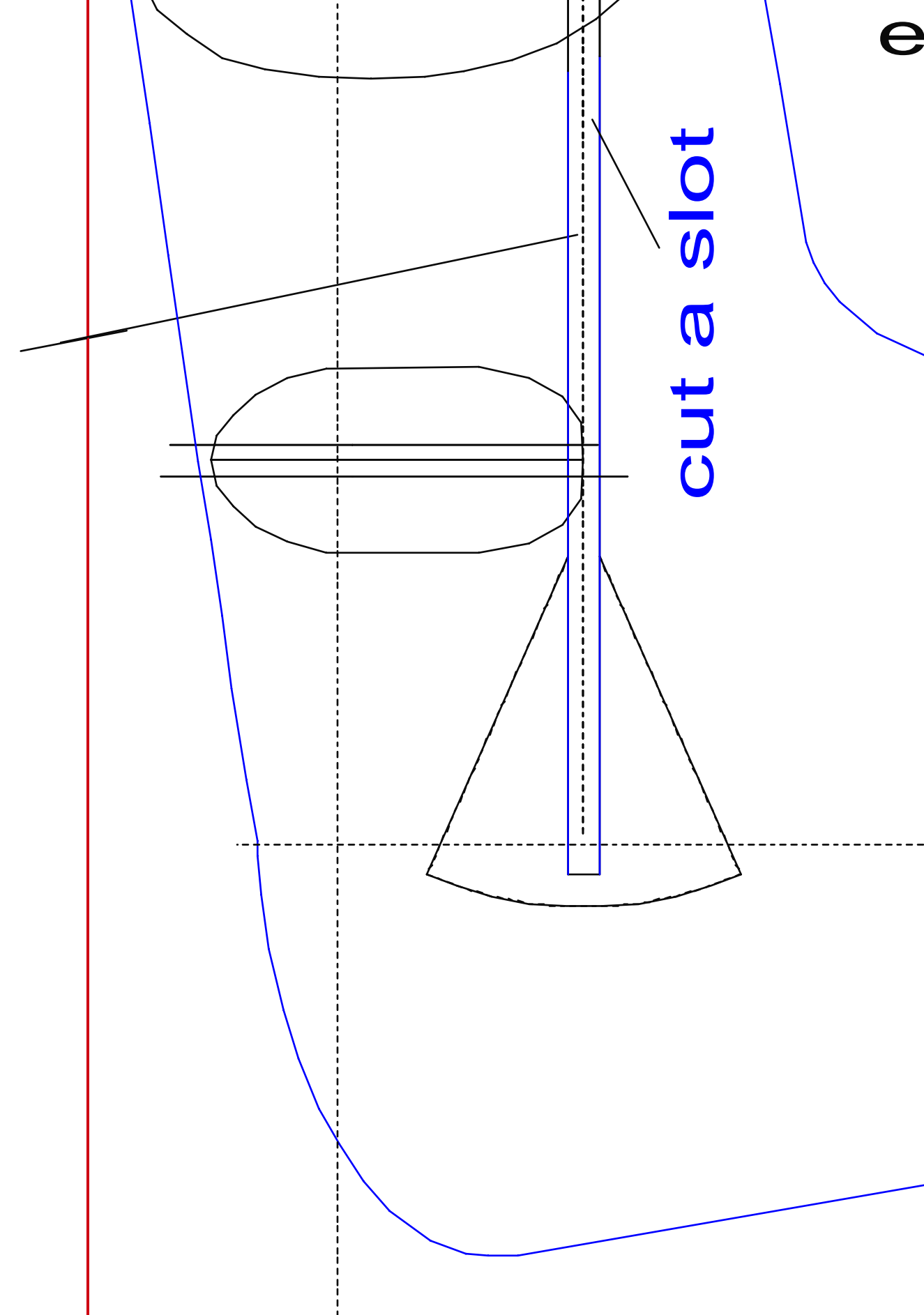
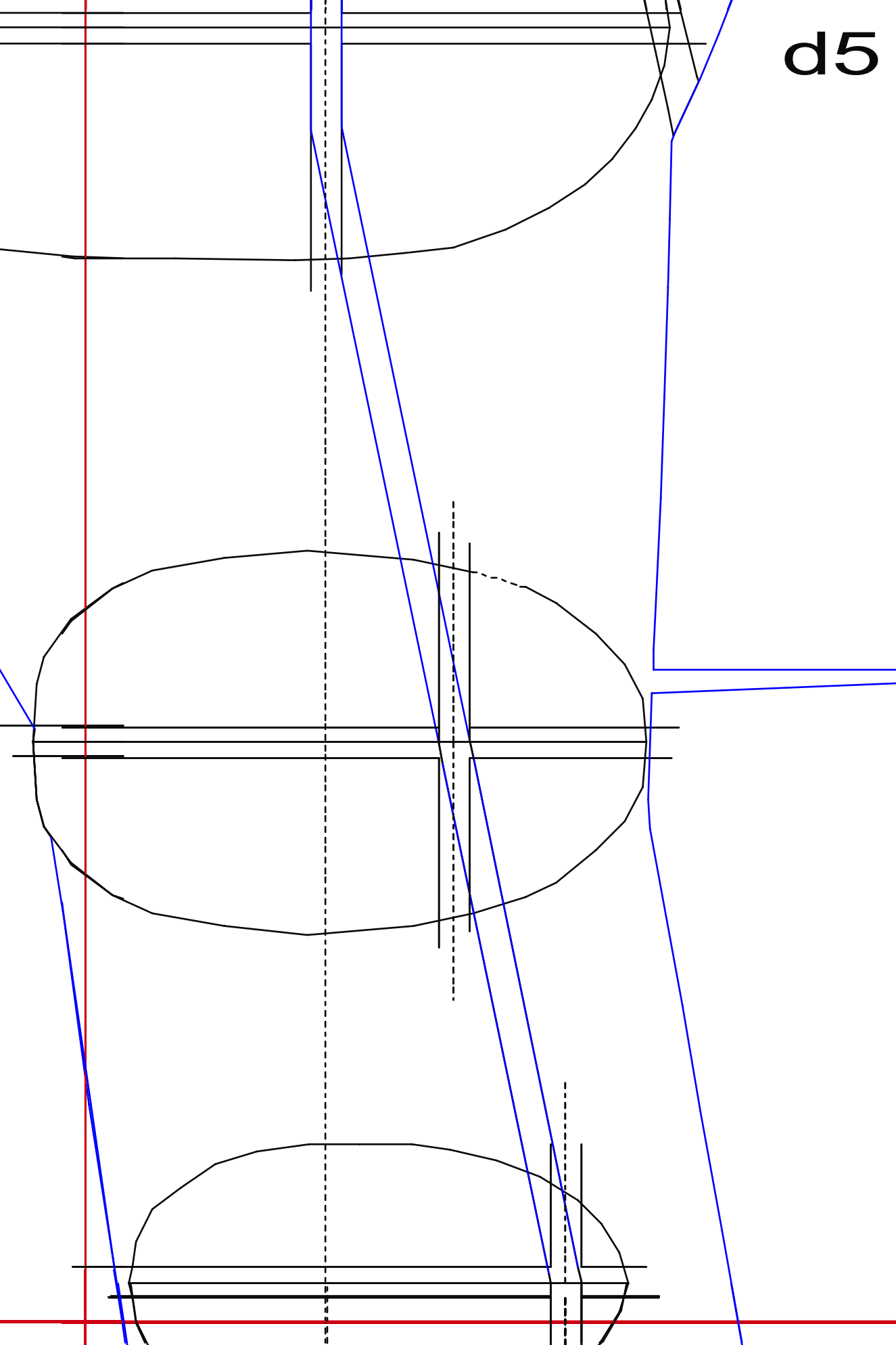
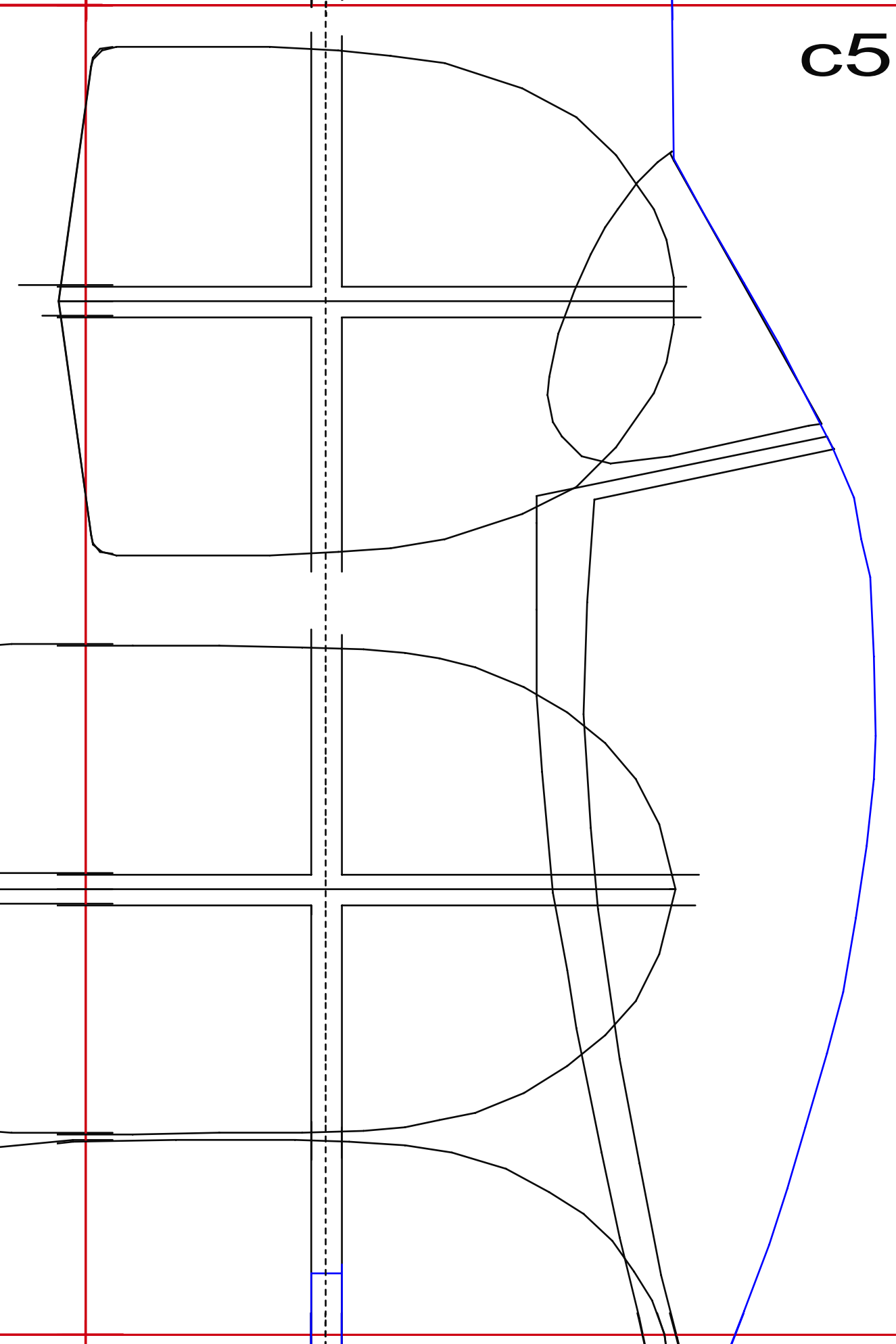
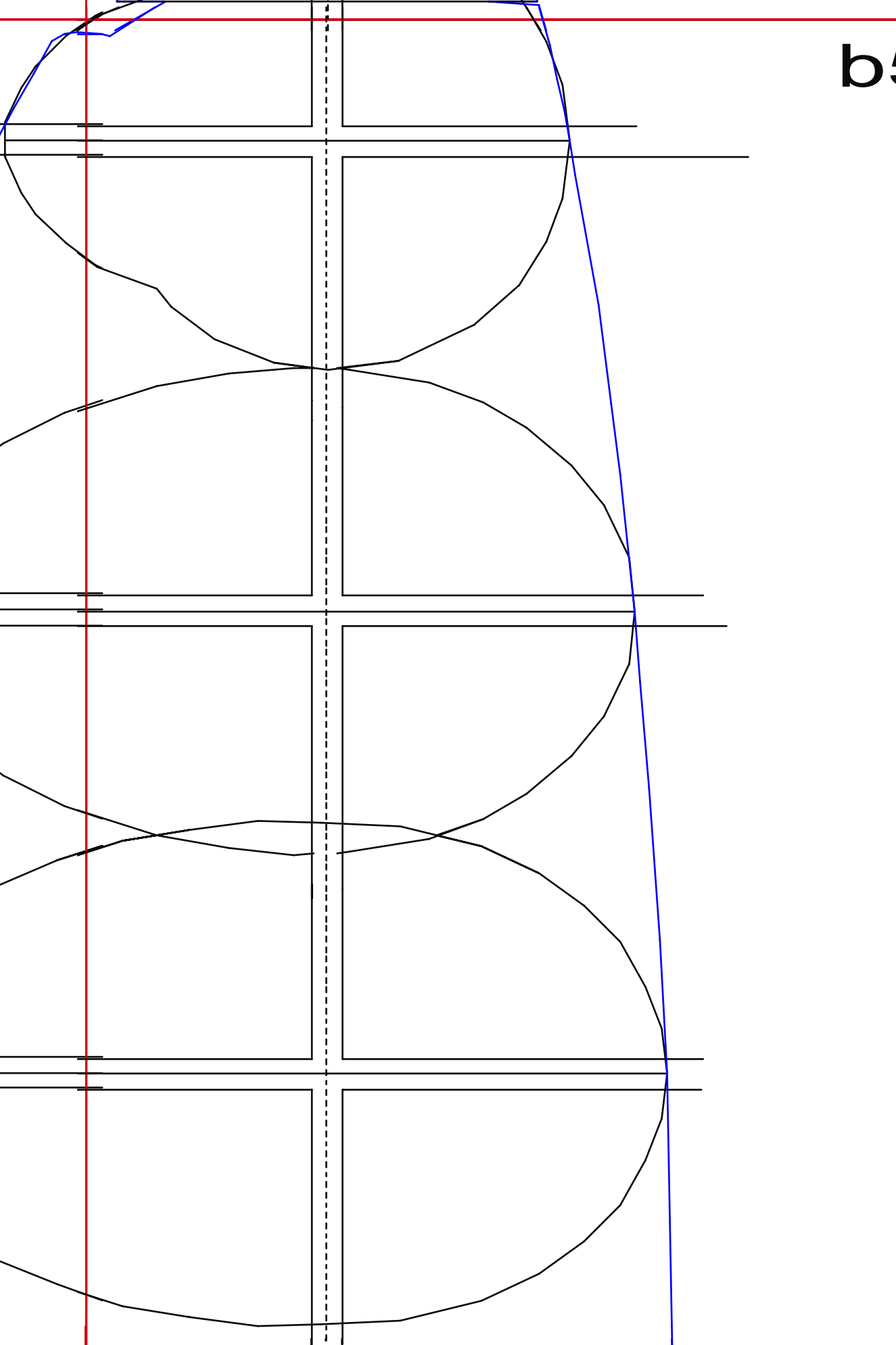
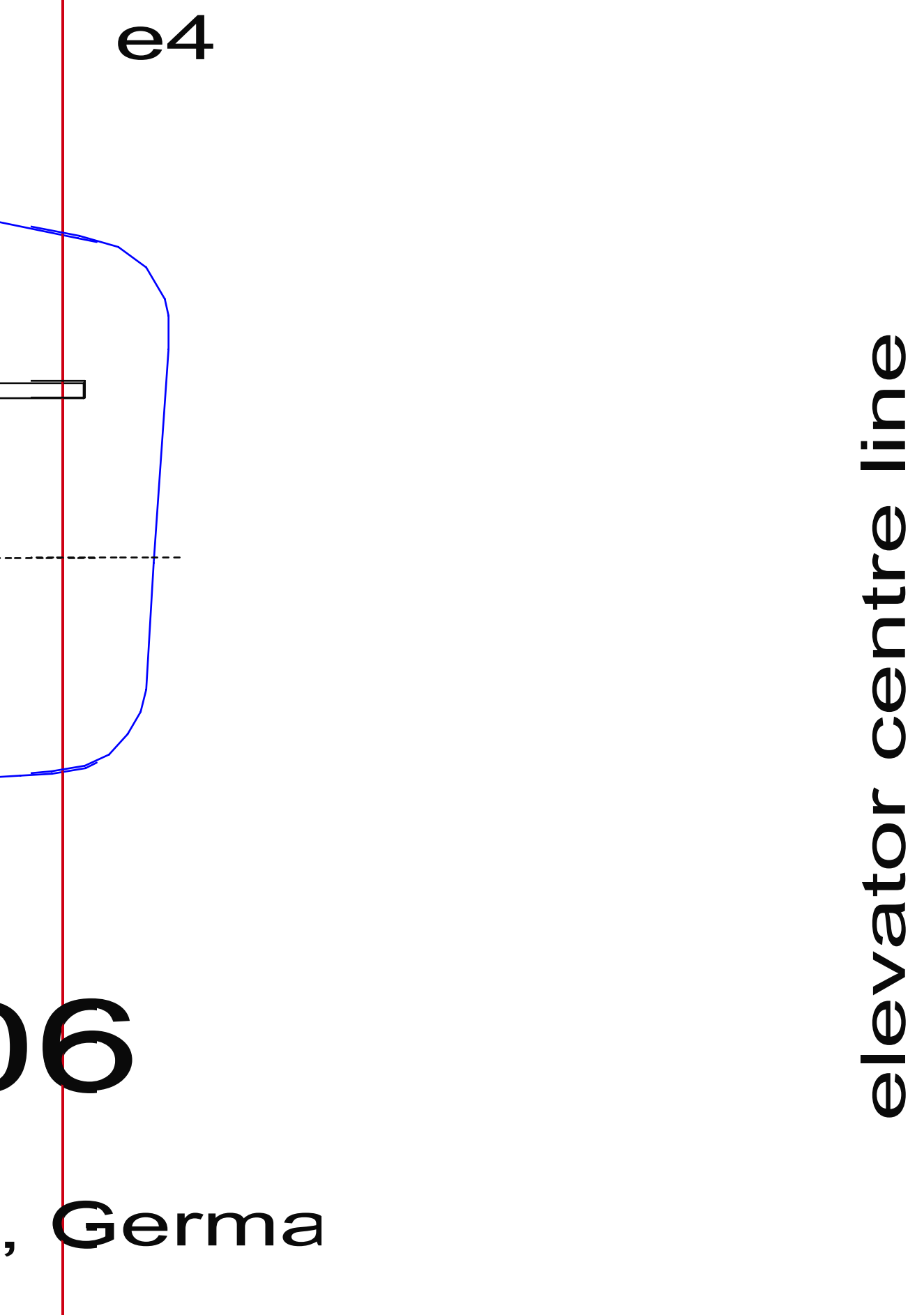
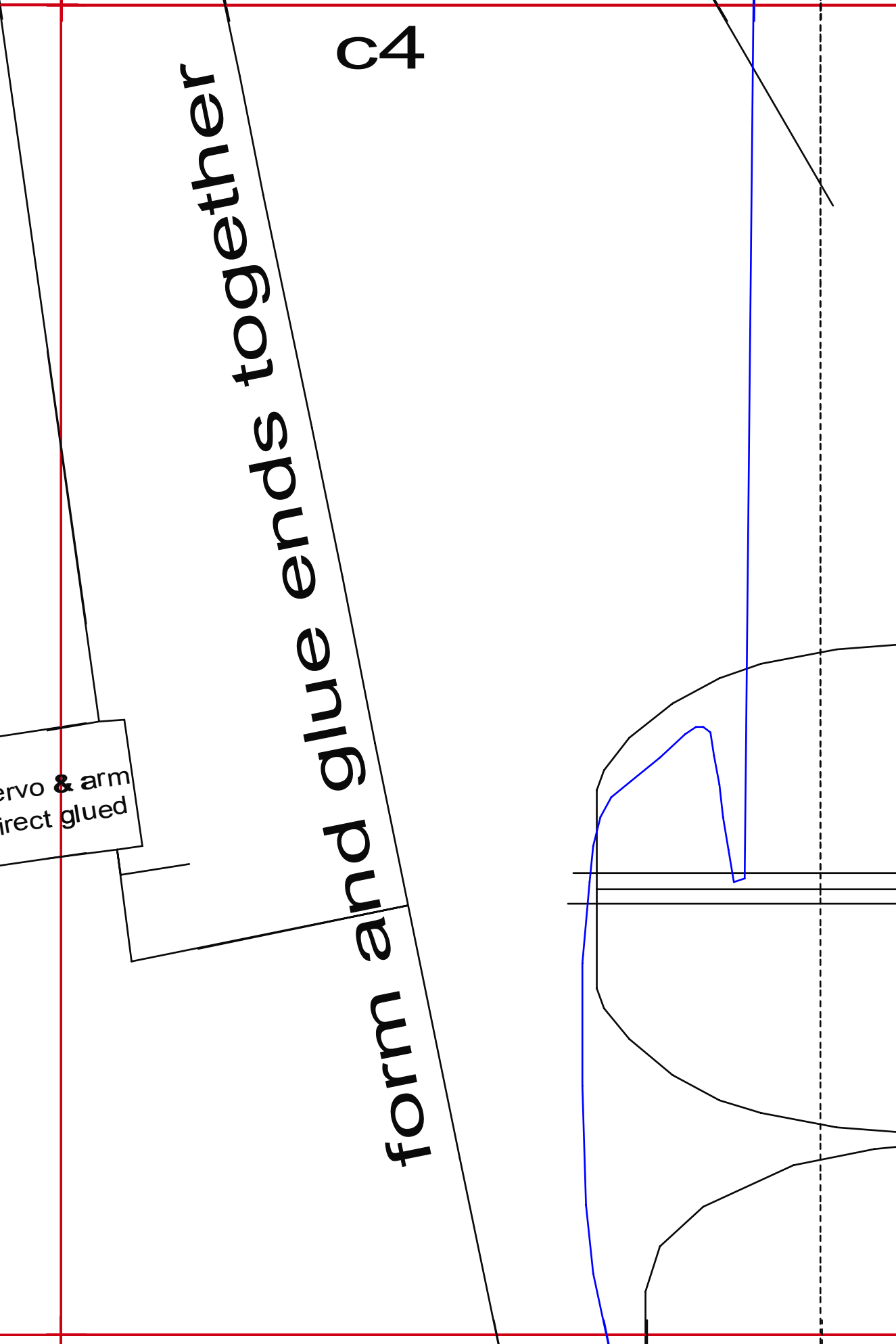
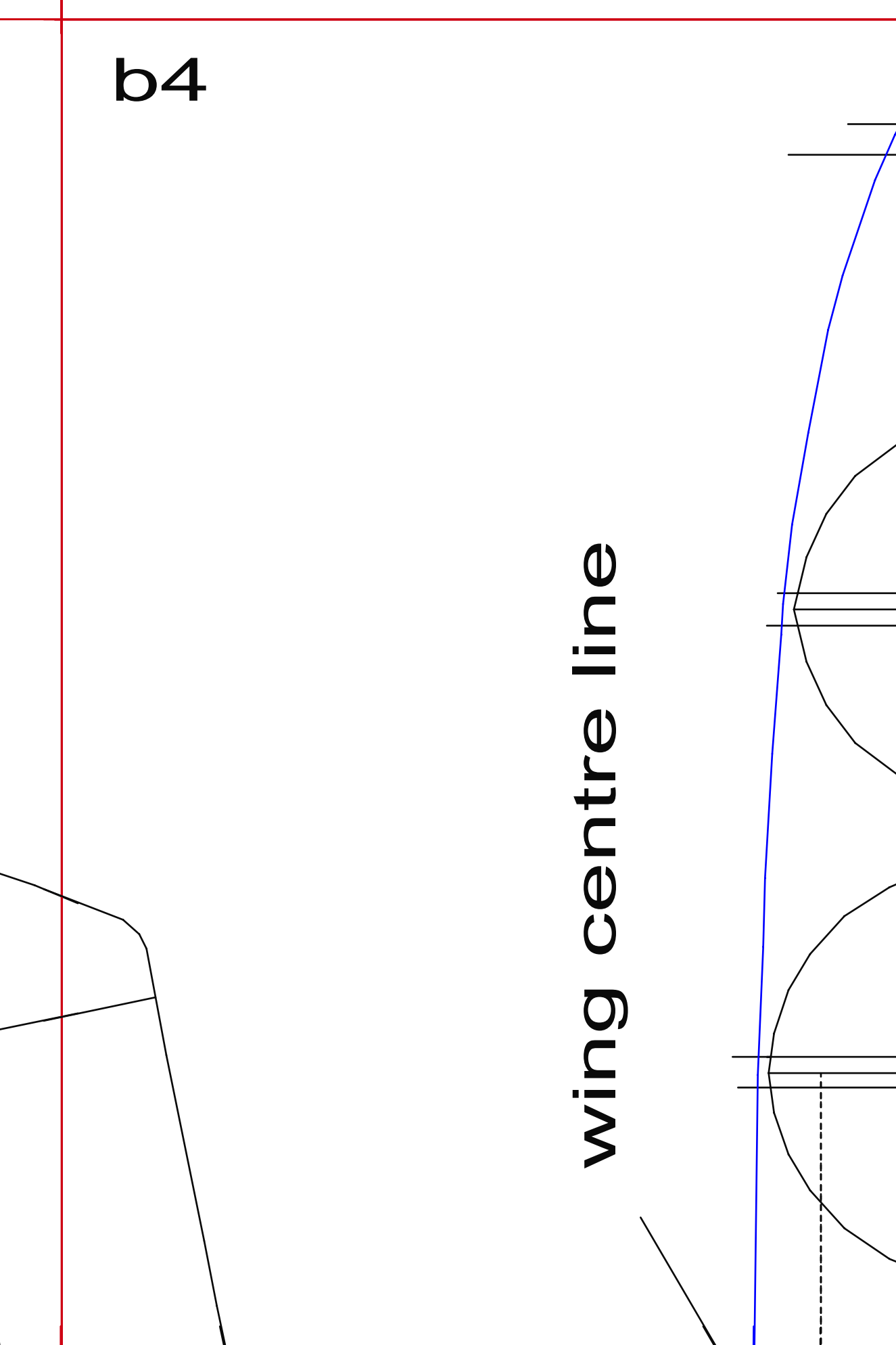
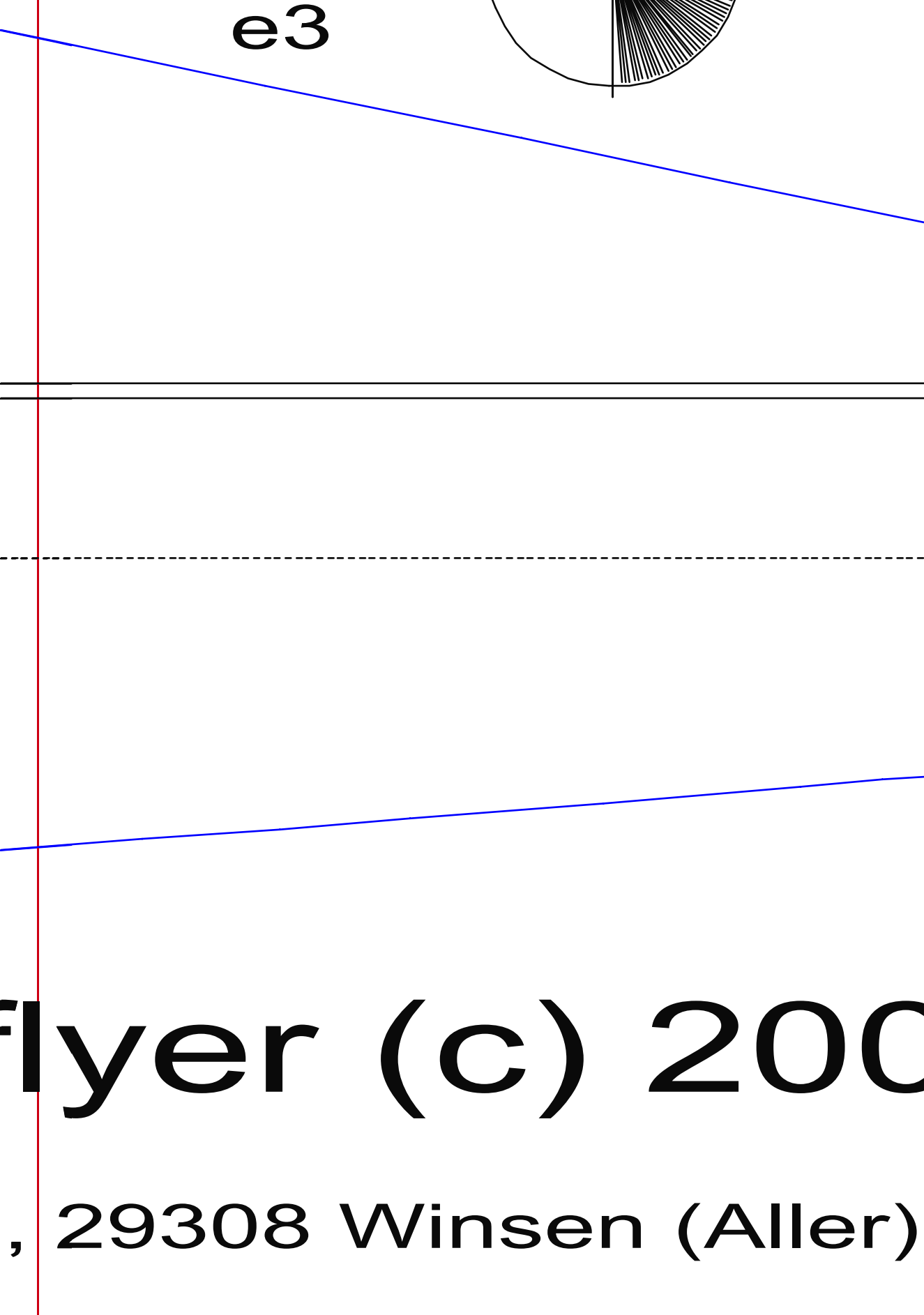
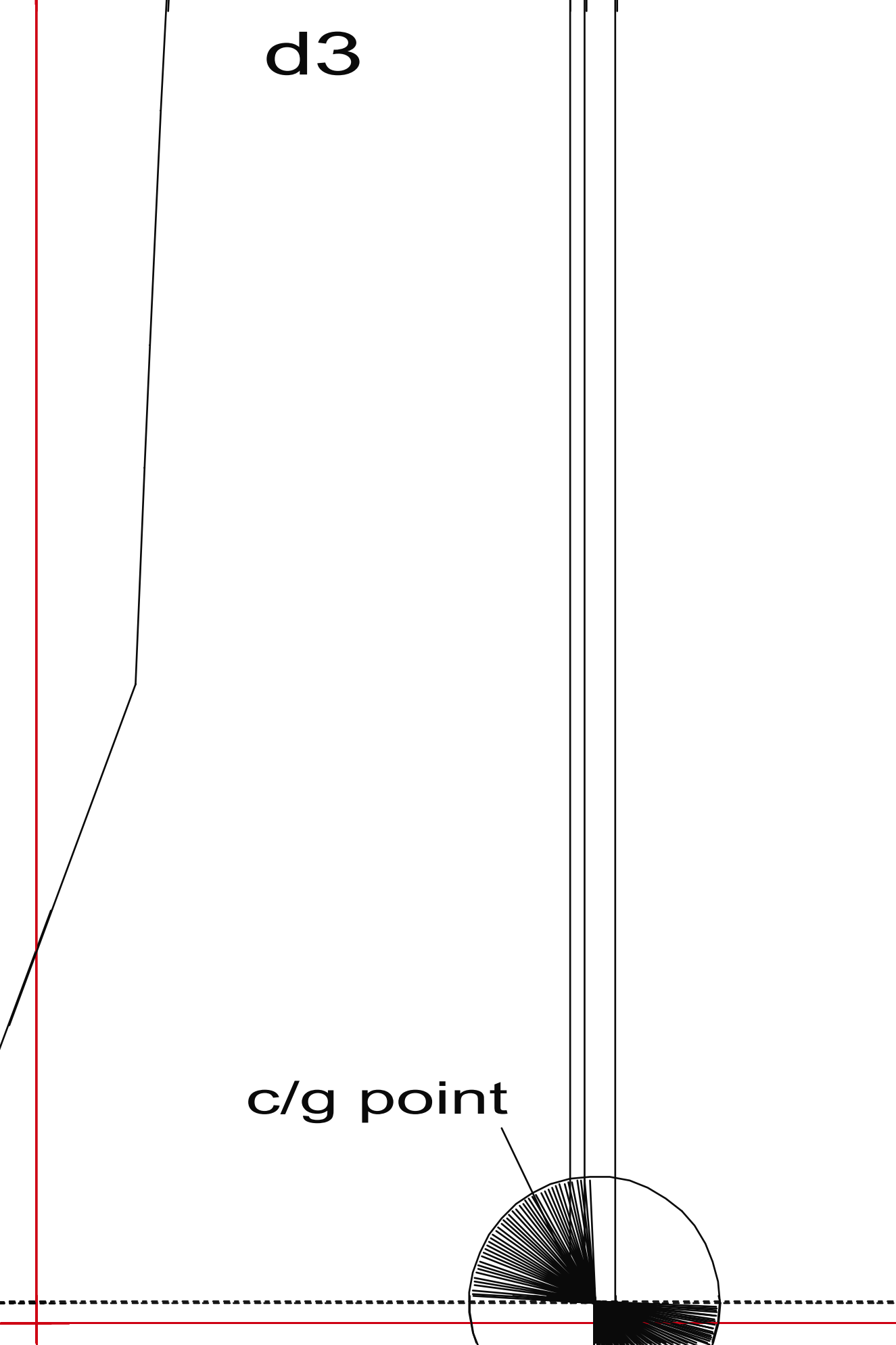
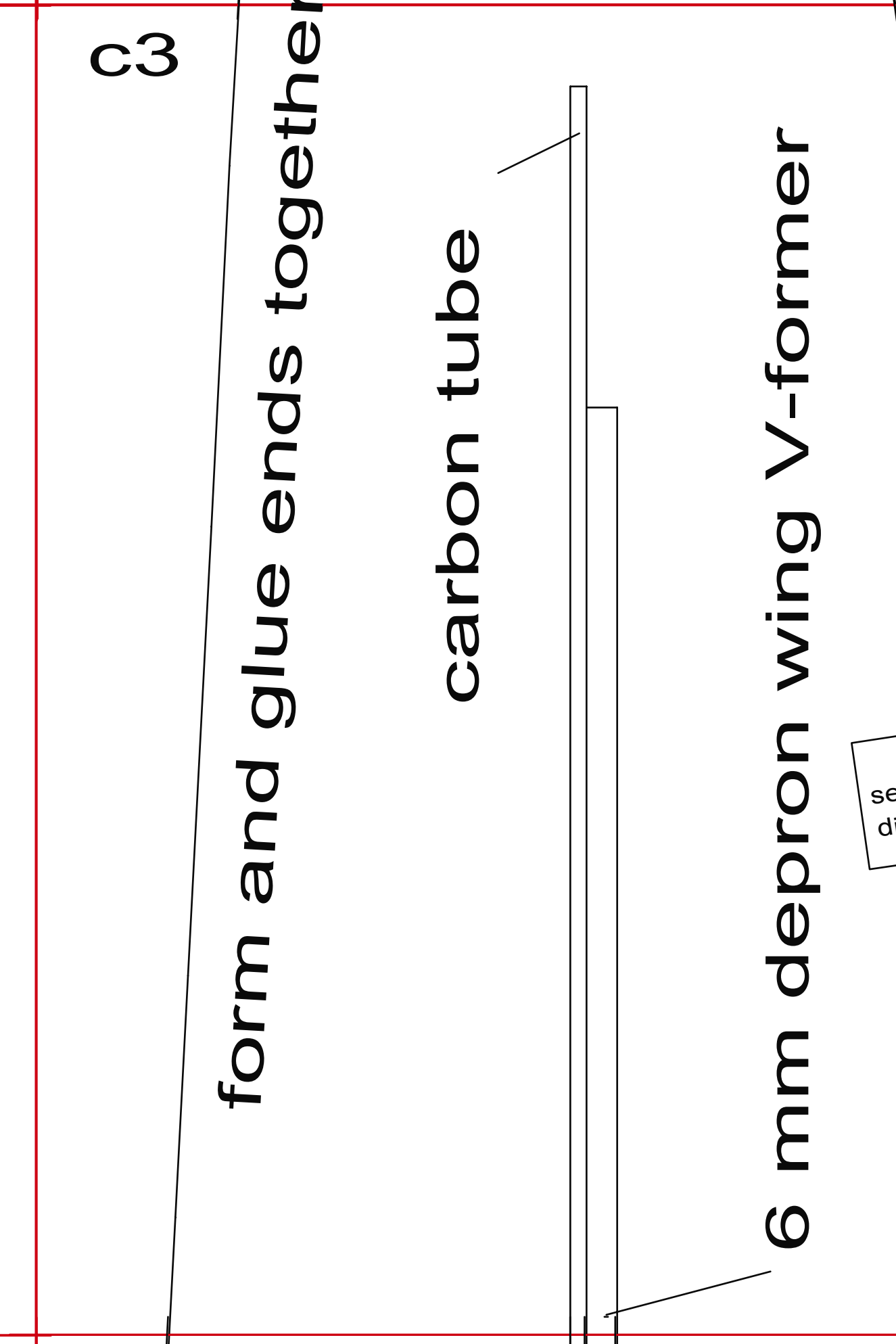
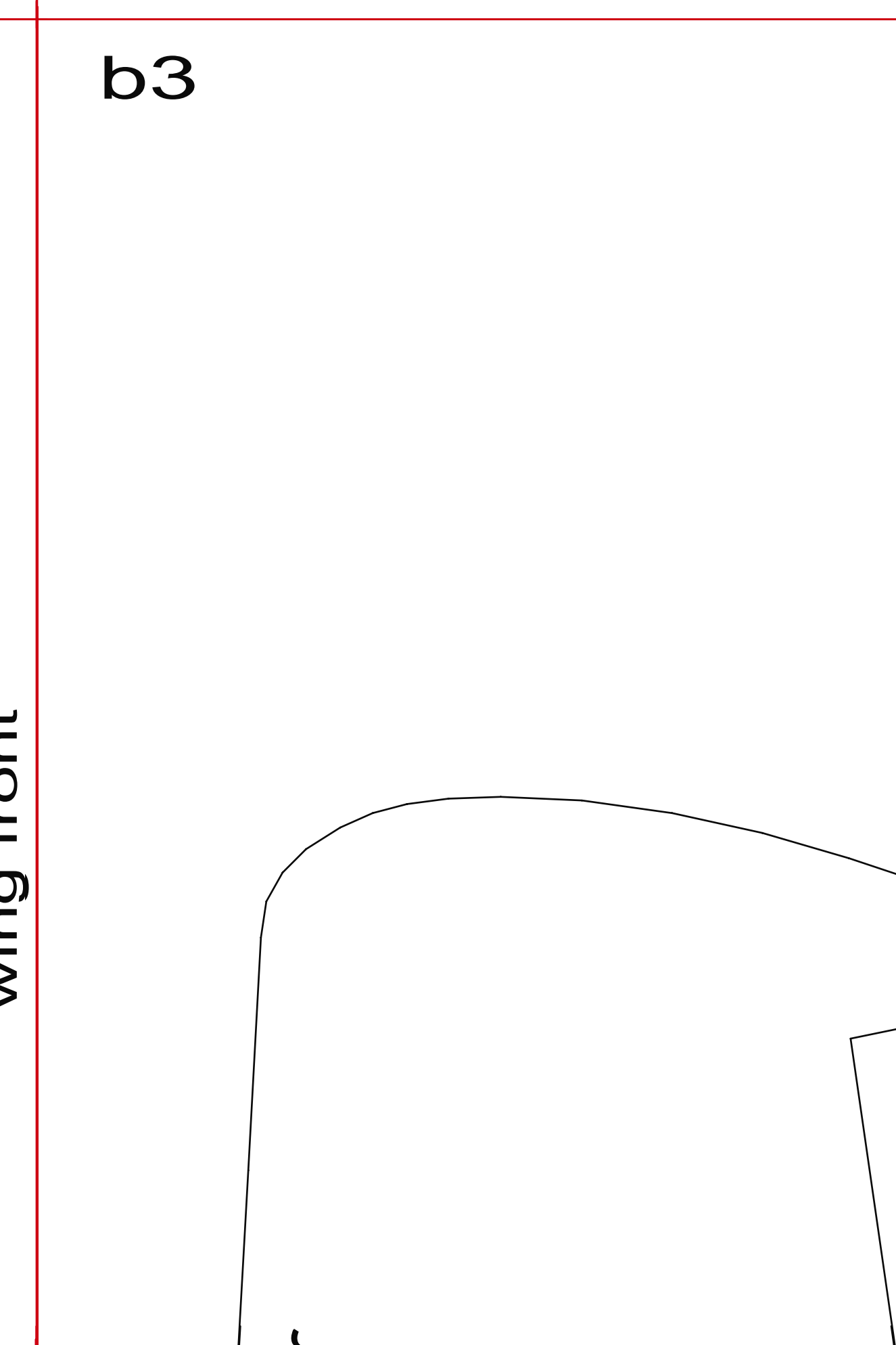
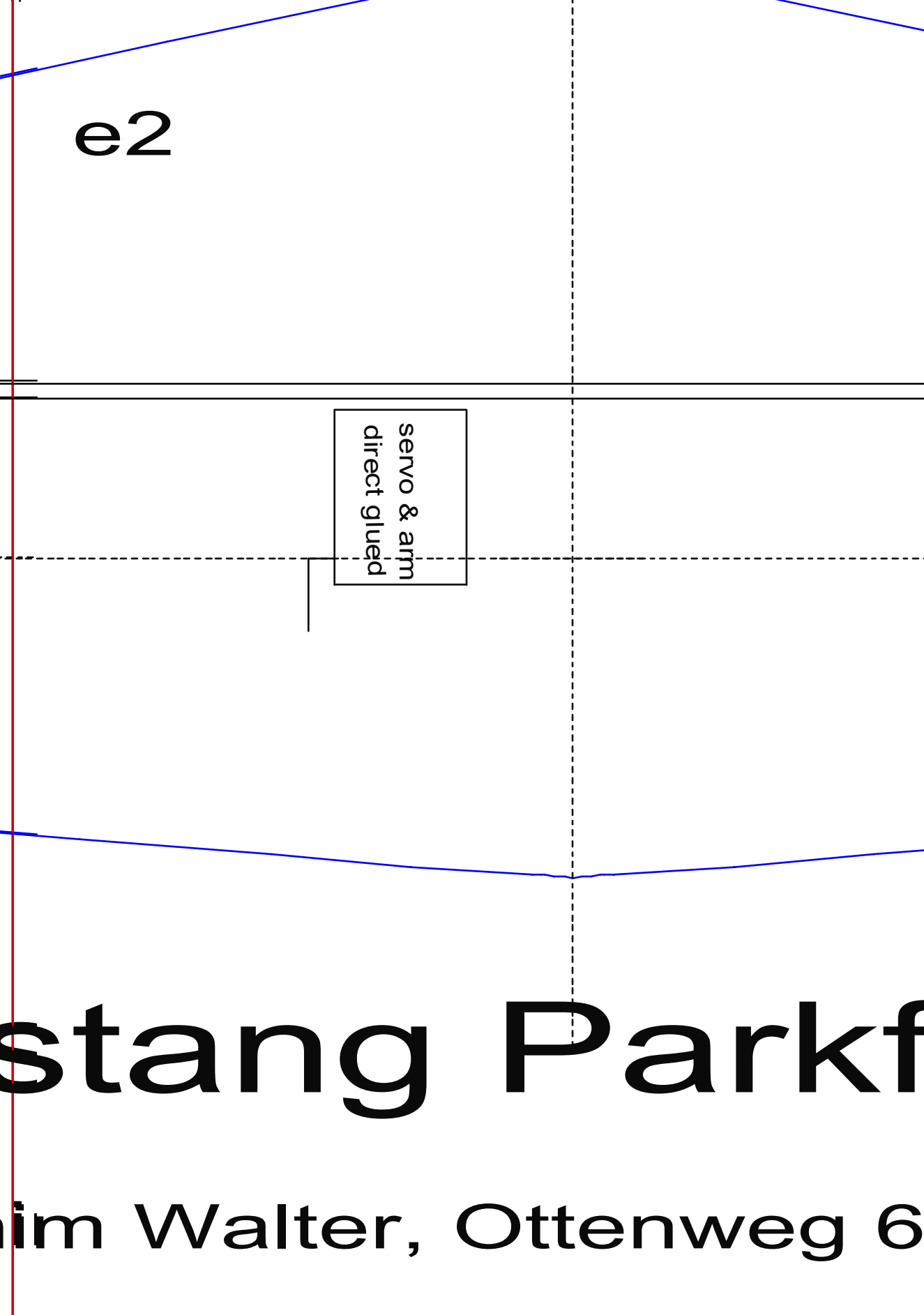
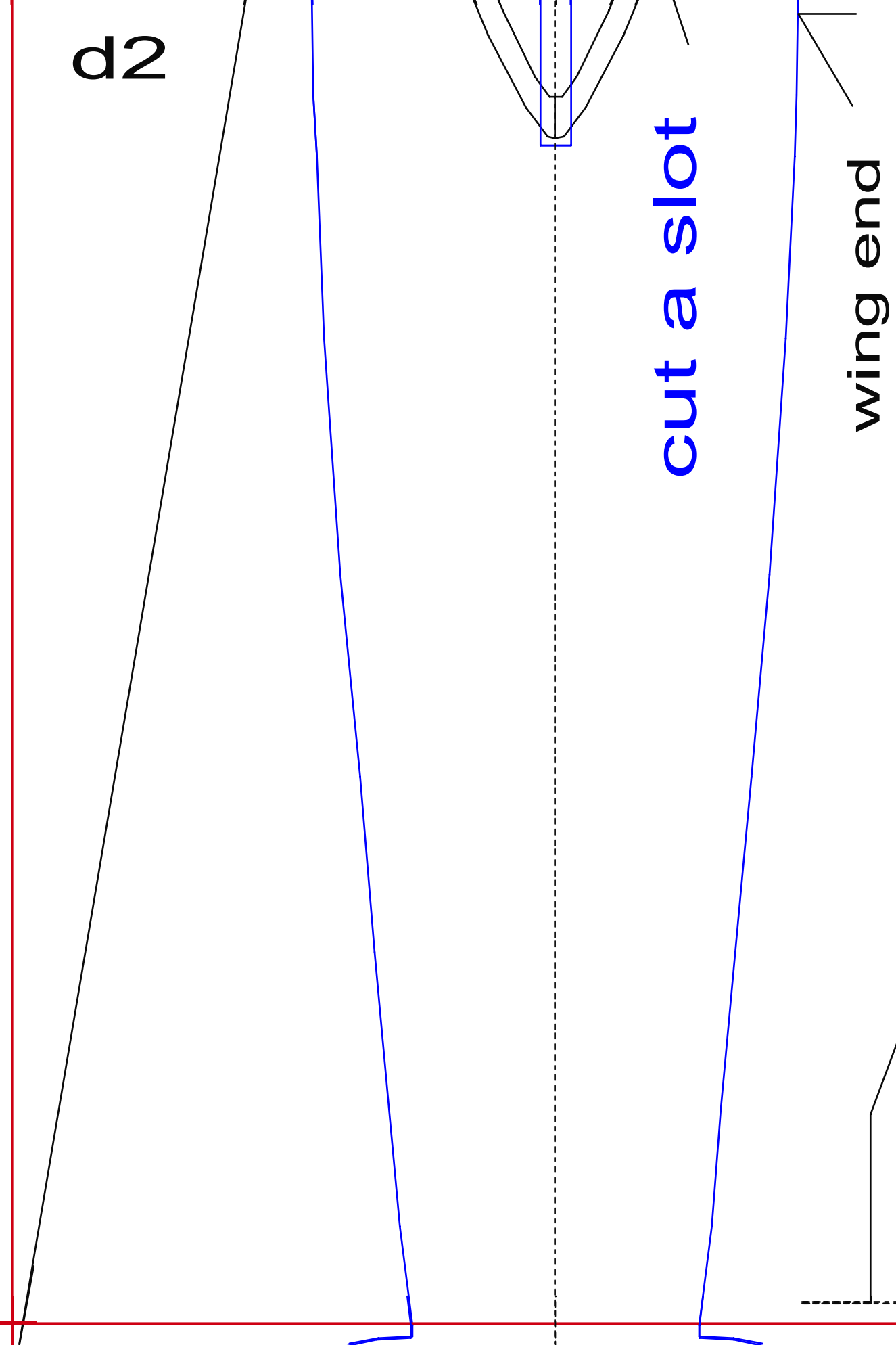
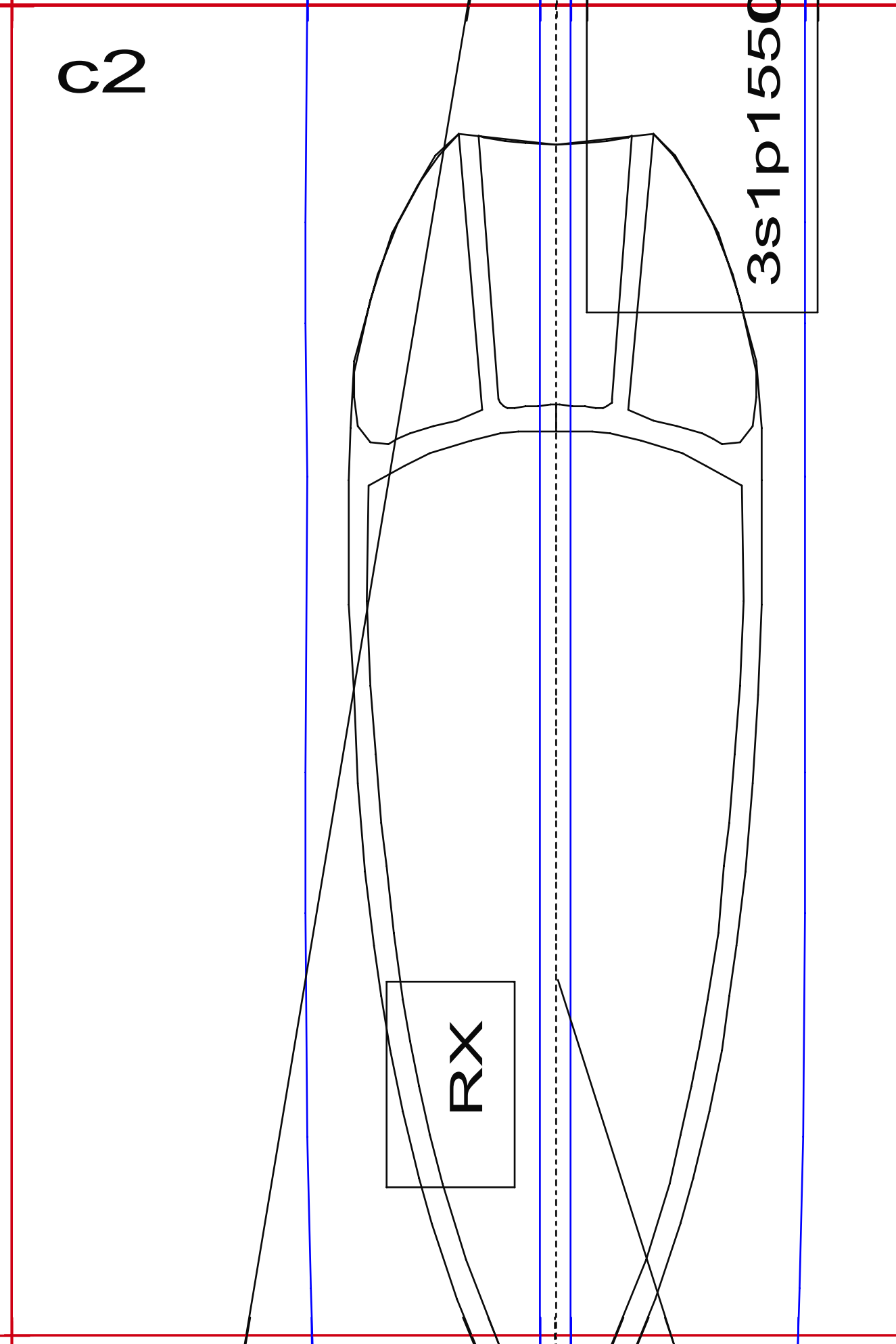
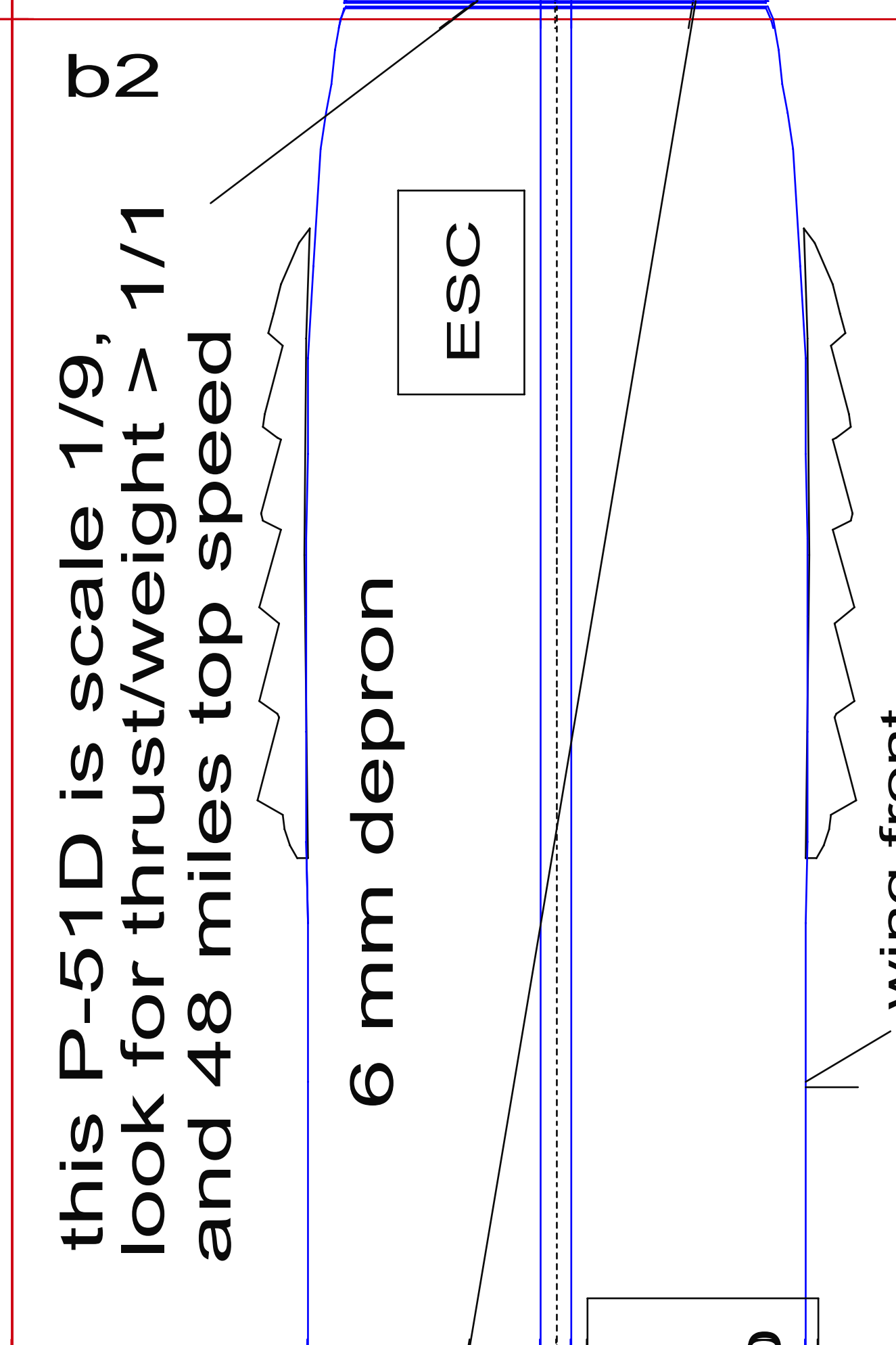
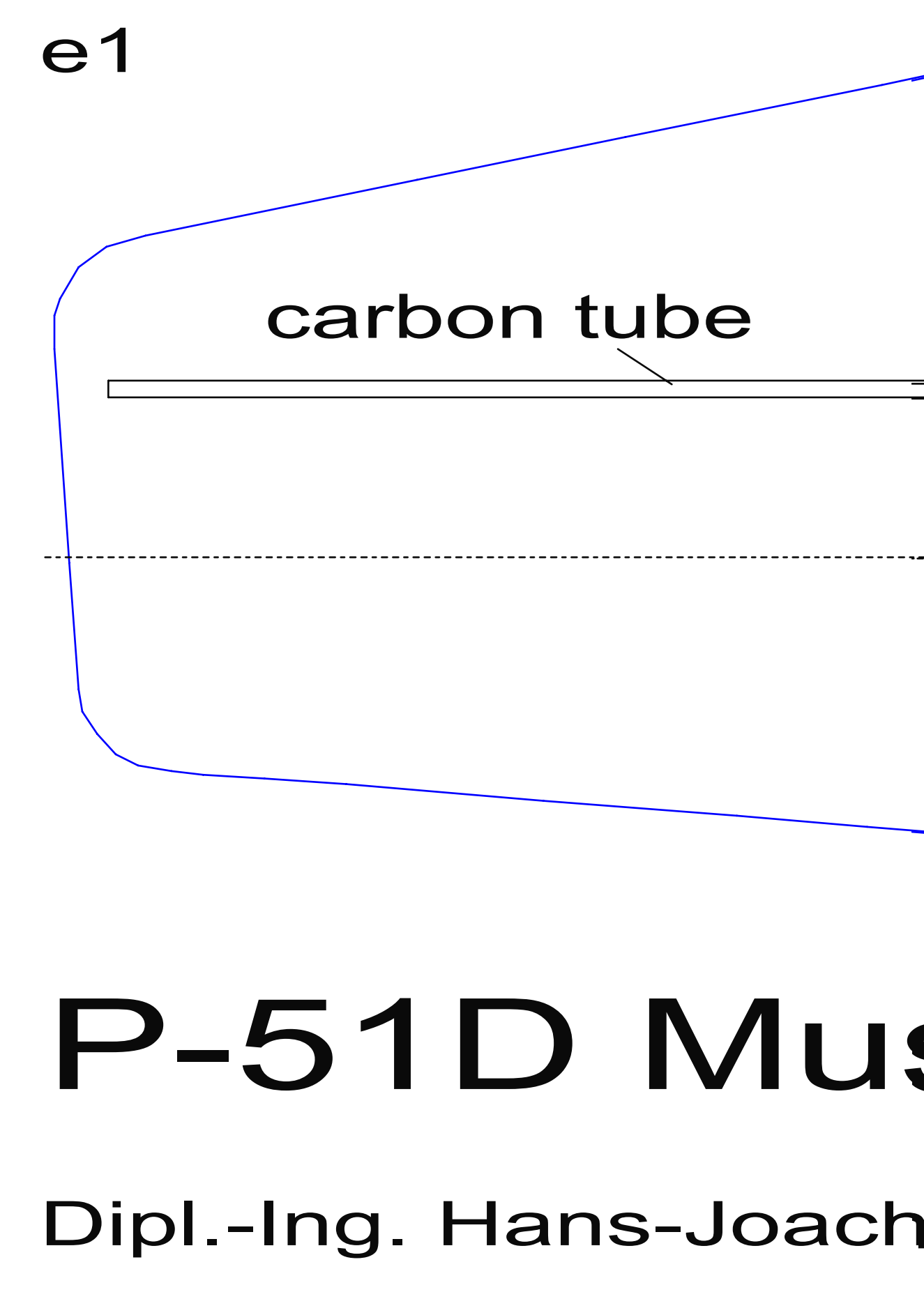


formers, vertical- and horizontal parts are 6mm depron the formers and parts are full size, so cut 3mm smaller for 3mm depron skin

this P-51D is scale 1/9, look for thrust/weight > 1/1 and 48 miles top speed



P-51D Mustang Parkflyer (c) 2006

Dipl.-Ing. Hans-Joachim Walter, Ottenweg 6, 29308 Winsen (Aller), Germa